

# LUX GAUGE BEZEL PRODUCT GUIDE

## TO BEGIN INSTALLATION...

- Kraus LUX gauge can be installed with either Kraus Isolated top mount or T-bar
- Loosely install either Kraus mount to allow for minor adjustment changes during installation
- Loosely hold up gauge in area you may want gauge to be viewed from, note orientation of gauge mount (Up/Down)
- Install wire block mount[3] onto back cover[2]

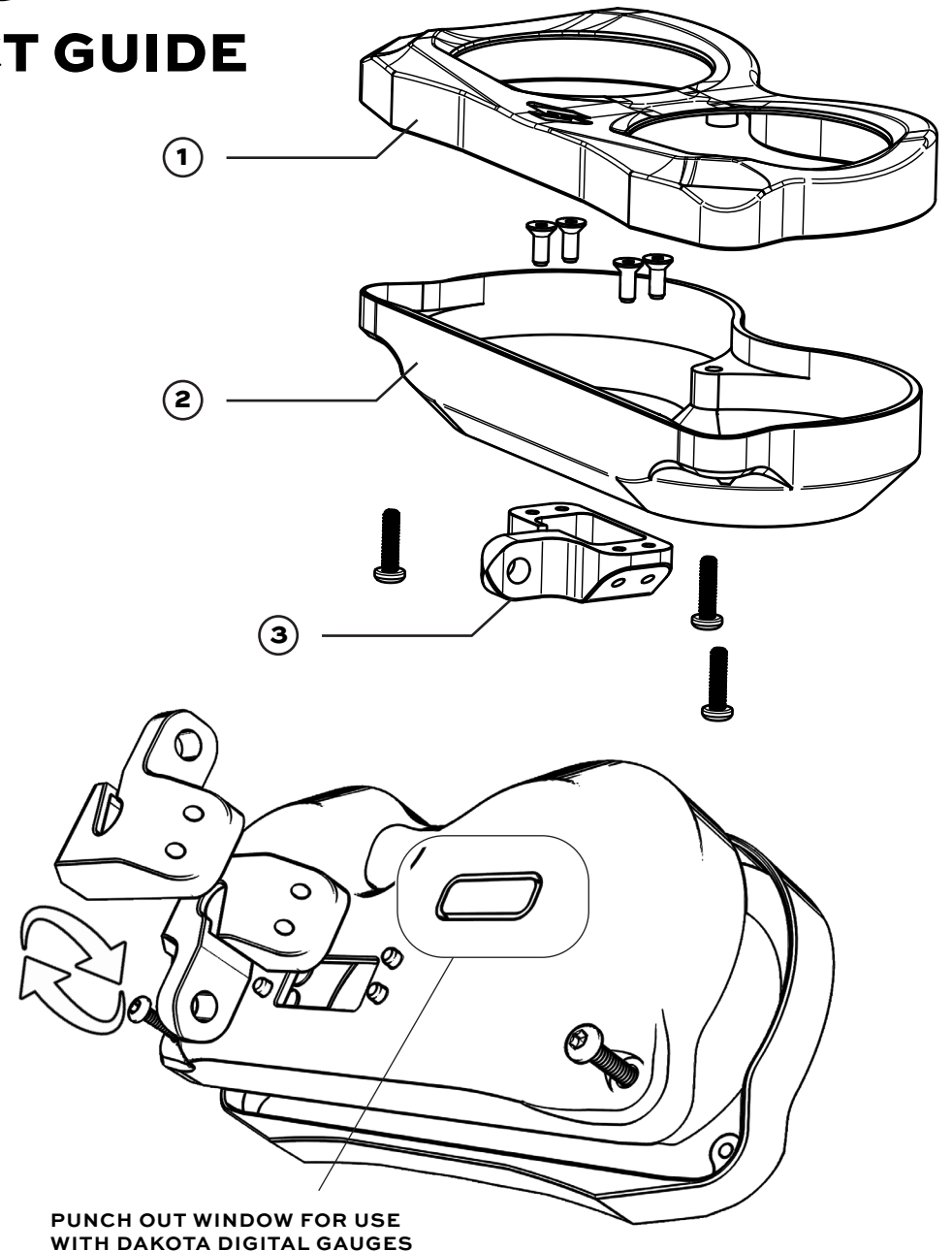
**NOTE:** Gauge Harness will need to be routed through gauge back prior to back being installed onto front face

- Apply loctite to (4) 10-24 screws, install through gauge back[2] into gauge mount[3]. Torque to **18 in-lbs**
- Install back[2] onto gauge front[1] applying loctite to supplied (3) 10-24 screws. Torque to **18 in-lbs**
- Gauge is now ready to install, snug supplied 5/16" Flat screw into mount
- Rotate Handlebars full lock to lock ensuring gauge does not contact any unwanted components
- Finish tightening any loose hardware

## TORQUE SPECS:

5/16" Flat Head Screw (10 ft-lbs)

1/4" Socket Cap Screws (6 ft-lbs)



PUNCH OUT WINDOW FOR USE  
WITH DAKOTA DIGITAL GAUGES