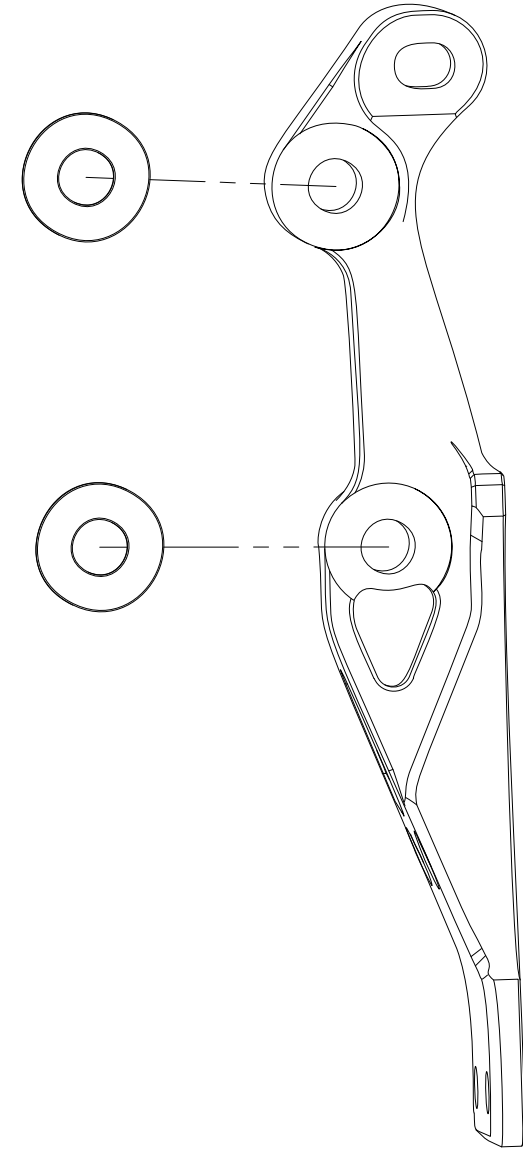
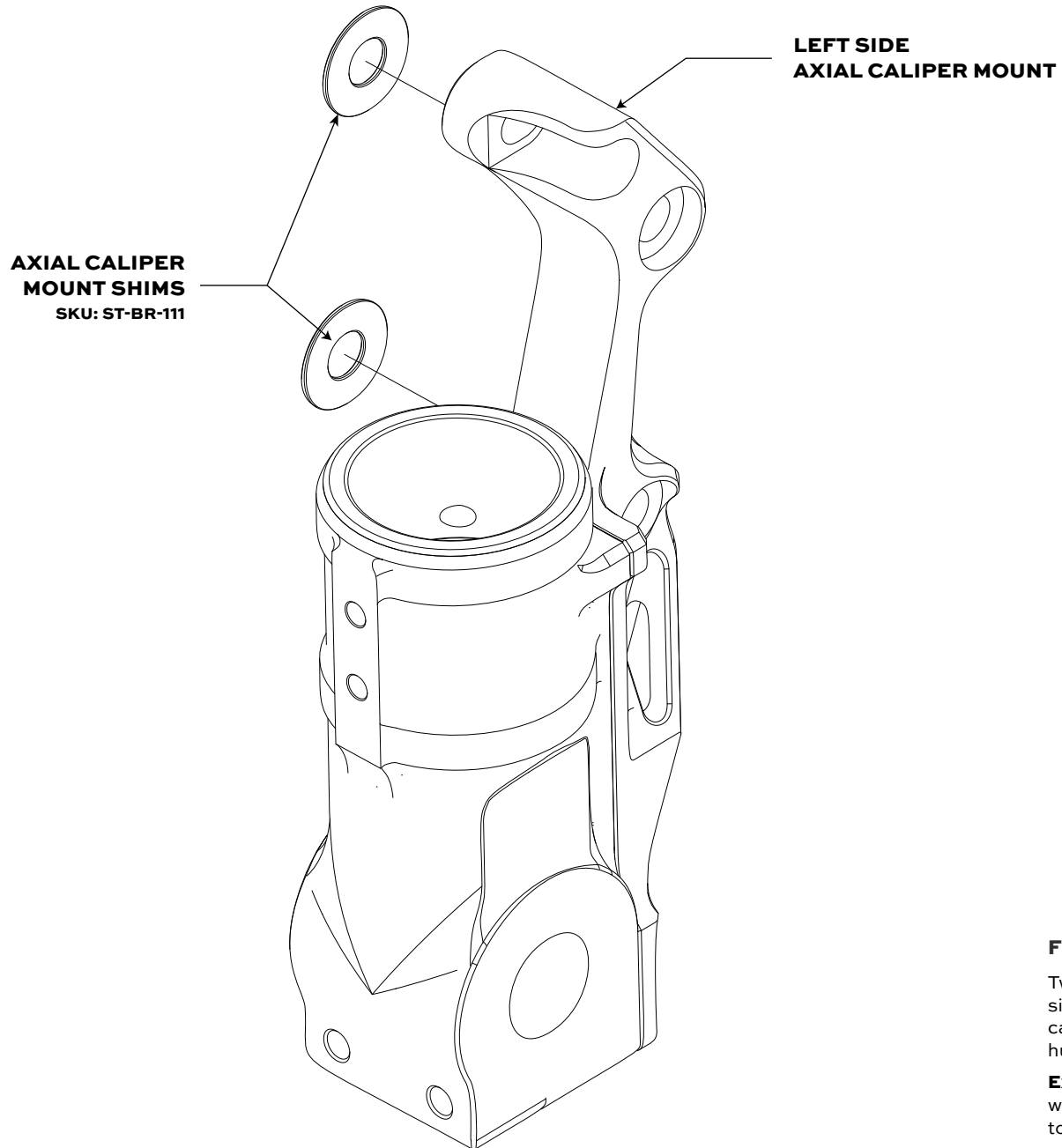


KRT AXIAL CALIPER MOUNT

ST-BR-010



FITMENT NOTE:

Two shims are included with the axial caliper mount. Use the shims on left side caliper mount only. These shims are used to align the rotor and caliper on select H-D Wheels. Shim requirement is dependent on wheel hub offset.

Examples where shims are not required: H-D Prodigy and Agitator wheels installed on H-D Special and CVO models. Fitment is not limited to these examples.