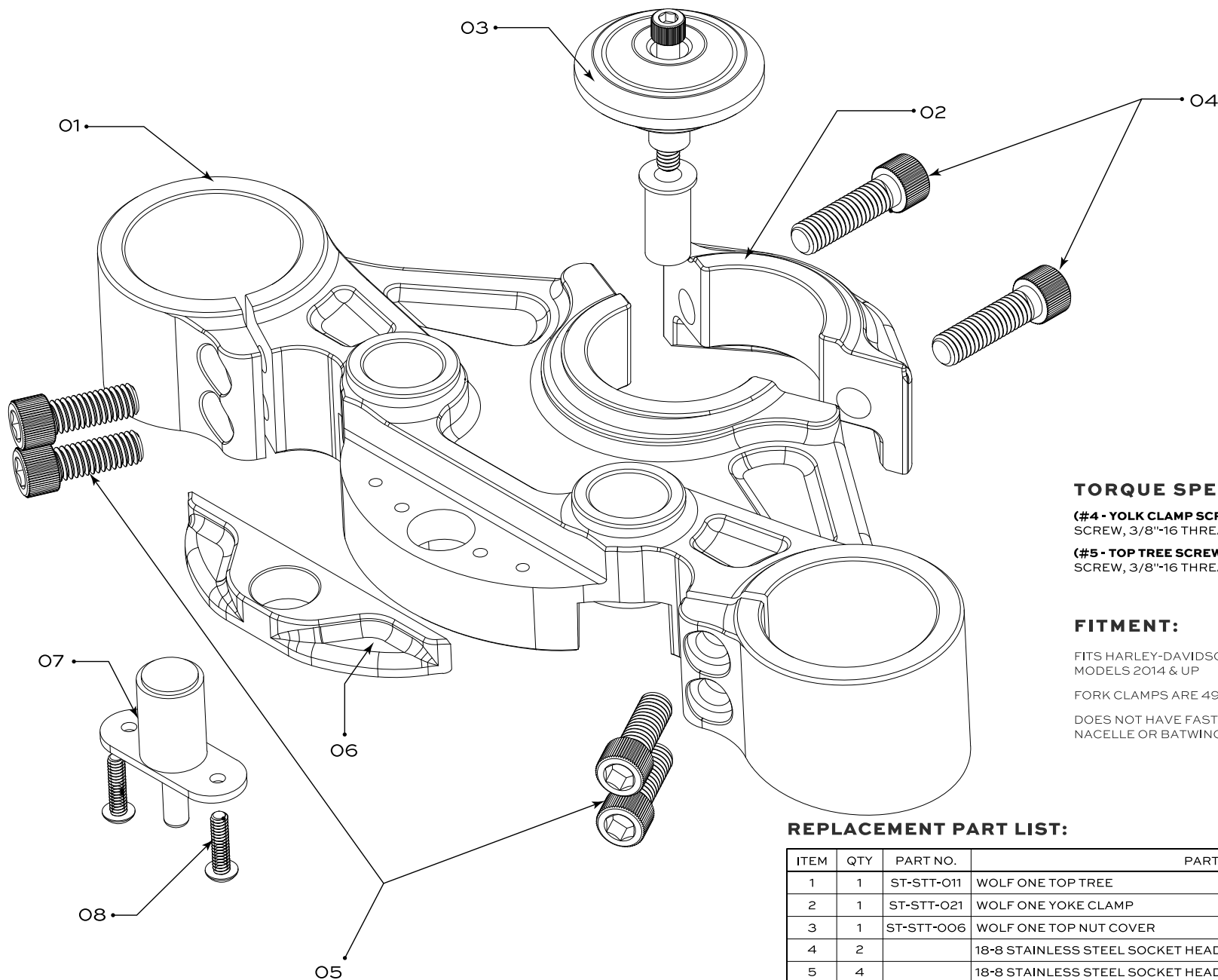


WOLF ONE BILLET BAGGER TOP CLAMP

ST-STT-24 and ST-STT-14



TORQUE SPECS:

(#4 - YOLK CLAMP SCREWS) 18-8 STAINLESS STEEL SOCKET HEAD SCREW, 3/8"-16 THREAD SIZE, 1-3/8" LONG — **28 FT. LBS.**

(#5 - TOP TREE SCREWS) 18-8 STAINLESS STEEL SOCKET HEAD SCREW, 3/8"-16 THREAD SIZE, 1" LONG — **20 FT. LBS.**

FITMENT:

FITS HARLEY-DAVIDSON ROAD GLIDE AND TOURING MODELS 2014 & UP

FORK CLAMPS ARE 49MM DIAMETER

DOES NOT HAVE FASTENER POINTS TO RUN A STOCK NACELLE OR BATWING FAIRING

REPLACEMENT PART LIST:

| ITEM | QTY | PART NO. | PART |
|------|-----|------------|--|
| 1 | 1 | ST-STT-011 | WOLF ONE TOP TREE |
| 2 | 1 | ST-STT-021 | WOLF ONE YOKE CLAMP |
| 3 | 1 | ST-STT-006 | WOLF ONE TOP NUT COVER |
| 4 | 2 | | 18-8 STAINLESS STEEL SOCKET HEAD SCREW, 3/8"-16 THREAD SIZE, 1-3/8" LONG |
| 5 | 4 | | 18-8 STAINLESS STEEL SOCKET HEAD SCREW, 3/8"-16 THREAD SIZE, 1" LONG |
| 6 | 1 | ST-STT-031 | WOLF ONE LOCK COVER |
| 7 | 1 | | PLUNGER LOCK |
| 8 | 2 | | 18-8 STAINLESS STEEL BUTTON HEAD TORX SCREWS, 10-24 THREAD, 3/4" LONG |