

TOP GAUGE MOUNT

PRODUCT GUIDE

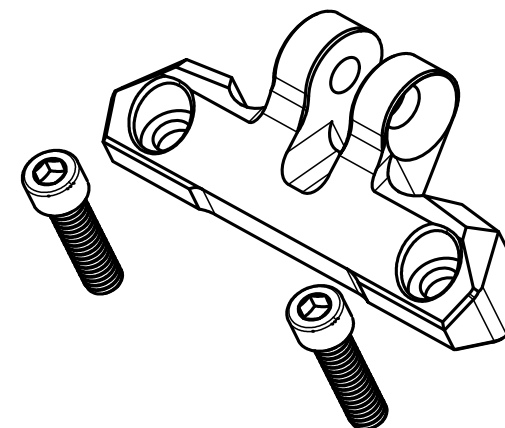
TO BEGIN INSTALLATION...

- Remove the top 2 center bolts from top clamp
NOTE: This mount will only fit Kraus Isolated Risers.
 The top gauge mount can also be used with the clevis pointed up or down.

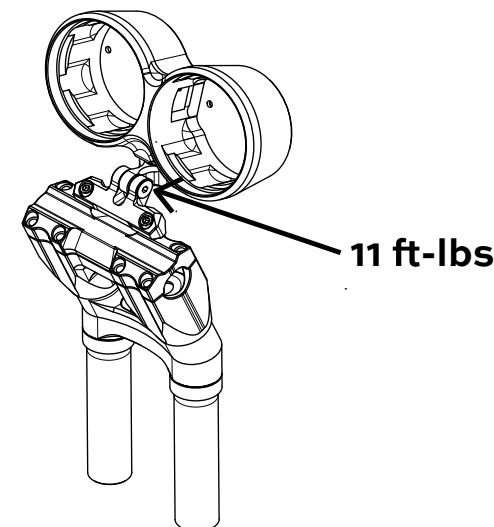
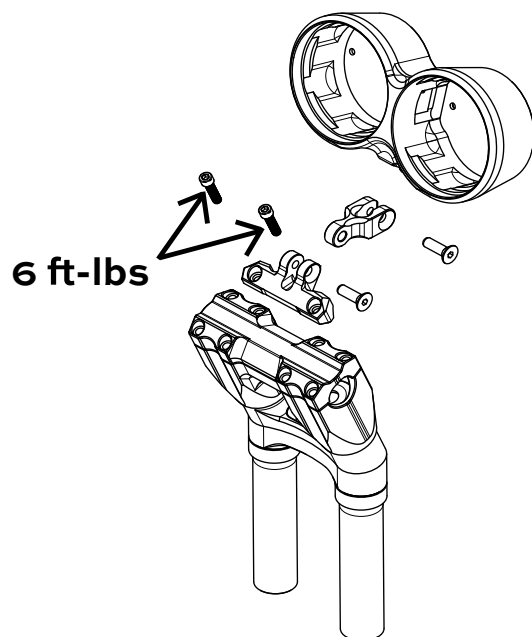
- Set Top Gauge Mount in place and begin to thread in the provided hardware. **Torque to 6 ft-lbs (8 N-m)**

- Install accessories in a suitable position and tighten. **Torque to 11 ft-lbs (15 N-m)**

NOTE: View the *Compatibility Page* for any questions or concerns regarding fitment.



(Other items shown are sold separately)



COMPATABILITY / FITMENT REFERENCE PAGE

