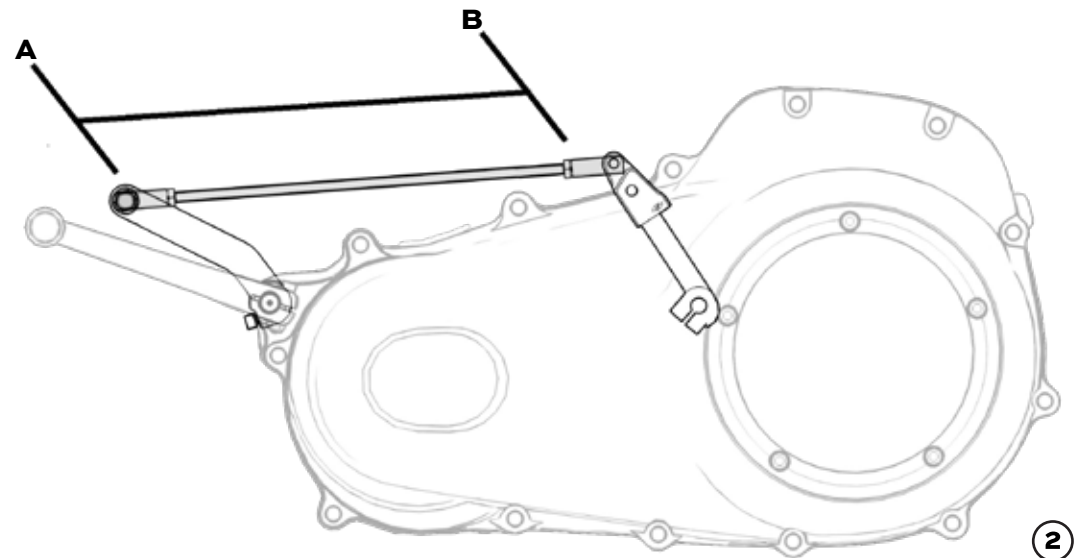
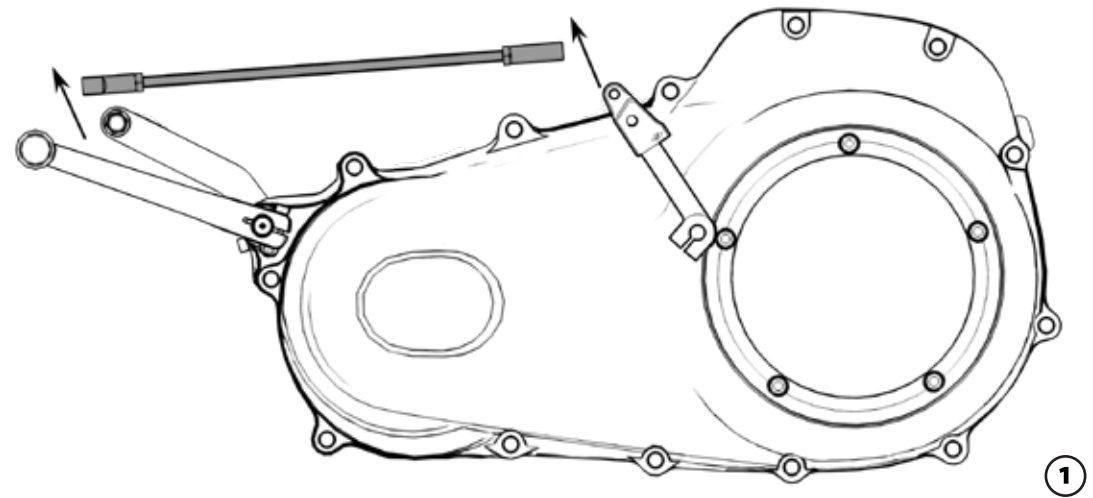


EZ-SHIFT (TWIN CAM) PRODUCT GUIDE

TO BEGIN INSTALLATION...

- Remove shift rod from transmission shift arm (See Fig. 1)
- Install EZ-Shift onto transmission shift arm

TECH TIP: If removing and reinstalling shift components onto spline, try to make the shift arm [A] and transmission shift arm [B] as parallel as possible (See Fig. 2)



FITMENT:

- H-D Twin Cam Models

Note: Diagrams show installation on a Bagger; the process is identical for Softail, Dyna, Sportster, and other Twin Cam models.