

T-BAR CLAMP

PRODUCT GUIDE

TO BEGIN INSTALLATION...

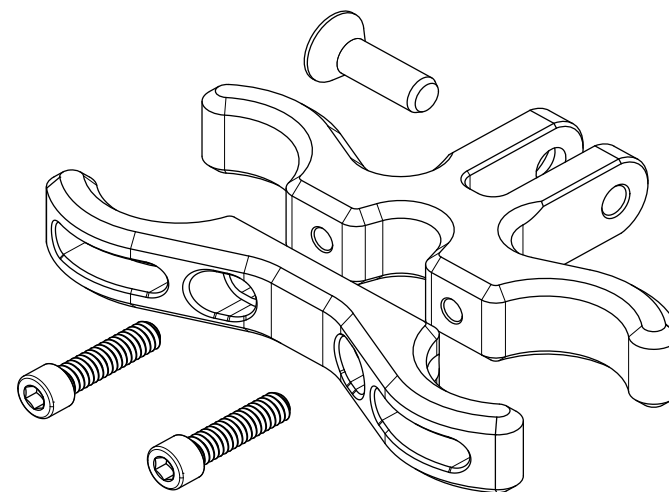
- Clamp both sides around riser legs and begin to thread in the provided bolts

NOTE: *The clevis can be mounted in front of the riser or behind the riser*

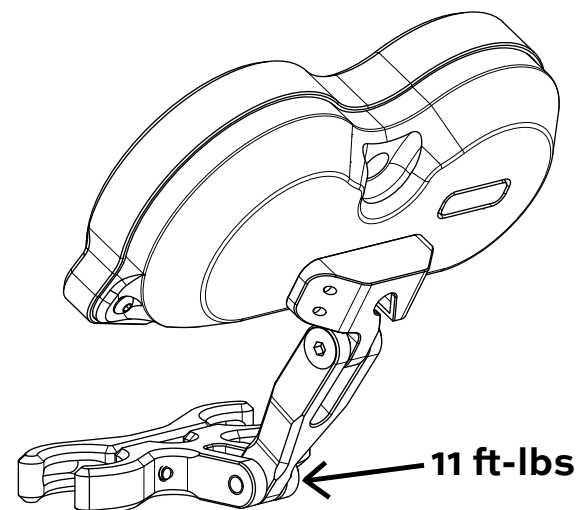
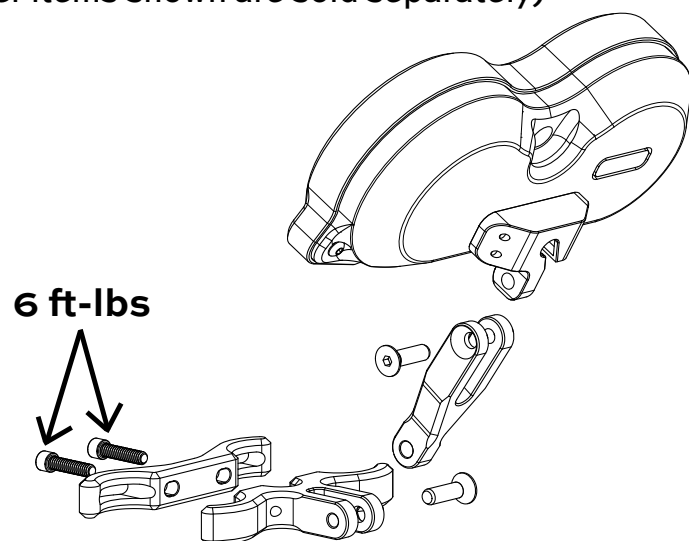
- Snug bolts until fingertight and find a suitable position

Torque to 6 ft-lbs (8 N-m)

NOTE: *View the Compatibility Page for any questions or concerns regarding fitment.*



(Other items shown are sold separately)



COMPATABILITY / FITMENT REFERENCE PAGE

