

STOCKER GAUGE ADAPTER

PRODUCT GUIDE

TO BEGIN INSTALLATION...

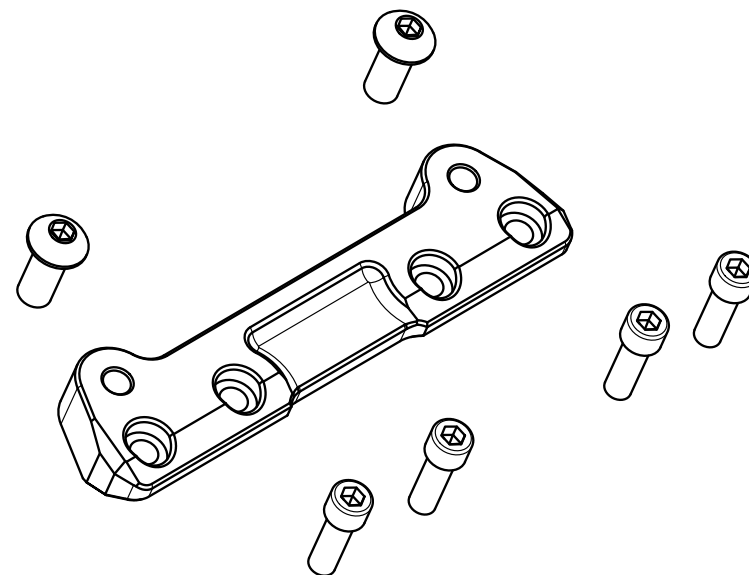
NOTE: *The Stocker Gauge Adapter will is only compatible with 4.25" wide OEM or Aftermarket Gauge Brackets*

- Position and install the Stocker Gauge Adapter to your Isolated Riser Top Clamp

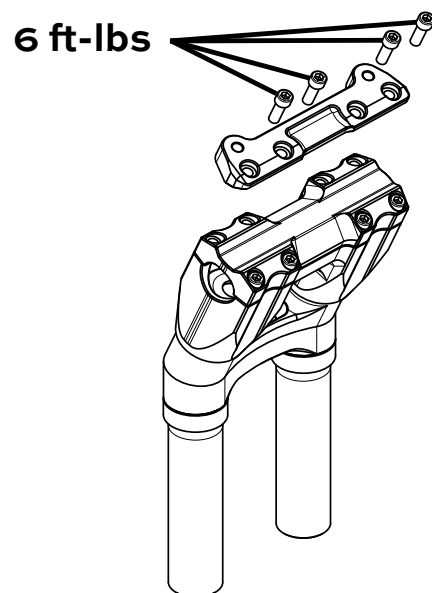
NOTE: *This adapter will only work for Isolated Risers.*

- Tightne and torque new top clamp bolts **Torque to 6 ft-lbs (8 N-m)**

- Install OEM or Aftermarket Gauge Bracket to Stocker Adapter
Torque to 11 ft-lbs (15 N-m)



(Other items shown are sold separately)



OEM or Aftermarket
Gauge Bracket
4.25" Wide Bolt to Bolt

