

x

DOVETAIL GAUGE MOUNT

PRODUCT GUIDE

TO BEGIN INSTALLATION...

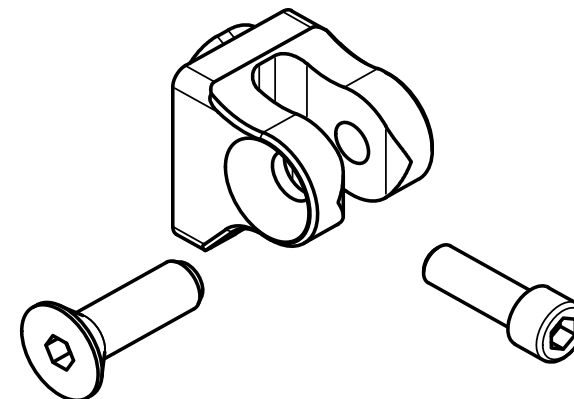
- Install the dovetail extension in a suitable position

NOTE: *Line up the groove on the dovetail for proper fitment.*

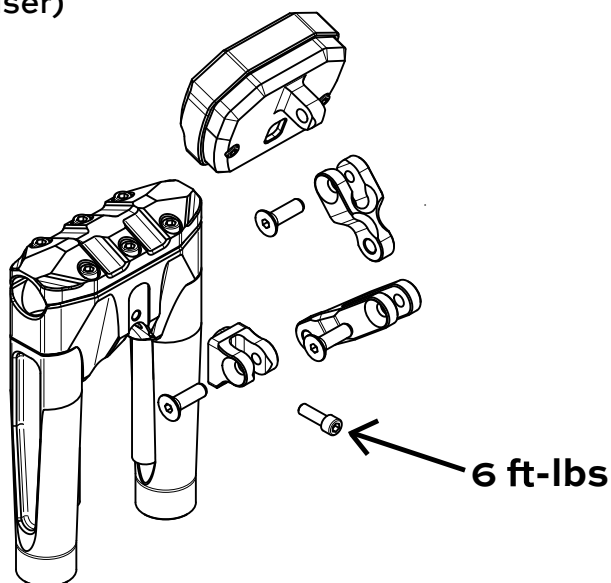
- Once in place, tighten mounting bolt. **Torque to 6 ft-lbs (8 N-m)**

NOTE: The Dovetail Extension will only fit SDC and Workman Risers.

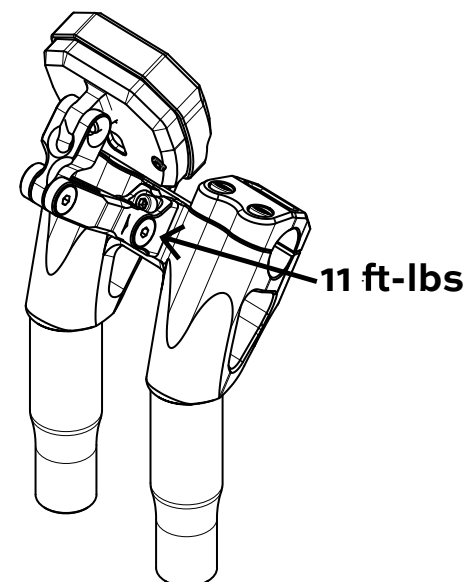
NOTE: *View the Compatibility Page for any questions or concerns regarding fitment.*



(Other items shown are sold separately)
(SDC Dagger Riser)



(Workman Riser)



COMPATABILITY / FITMENT REFERENCE PAGE

