

3 INCH EXTENSION

PRODUCT GUIDE

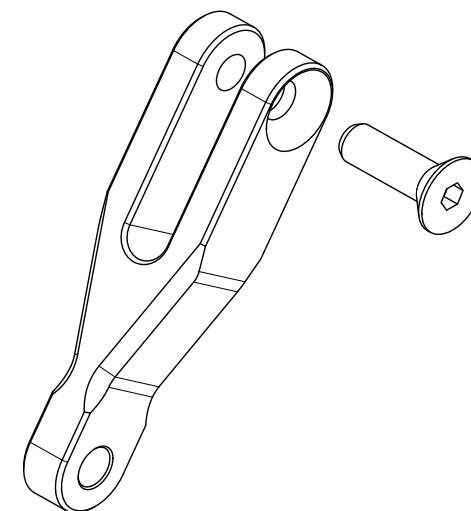
TO BEGIN INSTALLATION...

- Install narrow end of extension in the following mounts below.

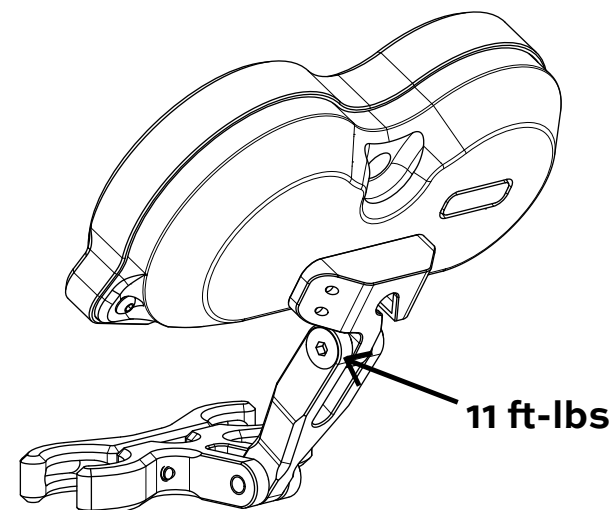
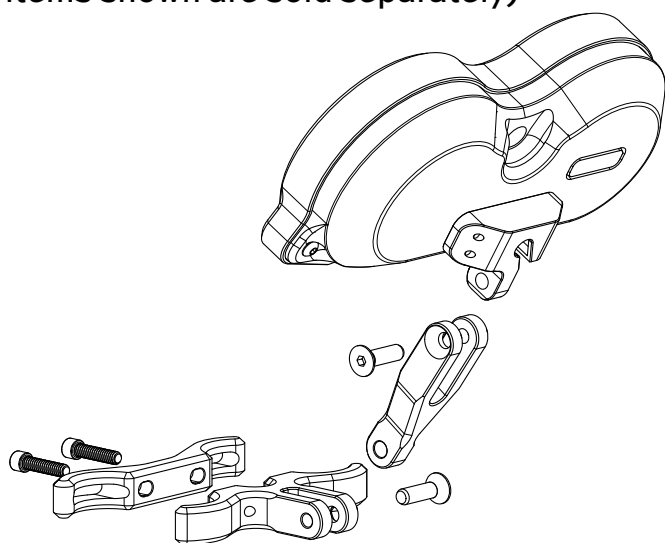
T-Bar Clamp Mount
Isolated Riser Top Gauge Mount
Dovetail Mount

- Snug until fingertight and find a suitable position
Torque to 11 ft-lbs (15 N-m)

NOTE: View the *Compatibility Page* for any questions or concerns regarding fitment.



(Other items shown are sold separately)



COMPATABILITY / FITMENT REFERENCE PAGE

