

1.5 INCH EXTENSION

PRODUCT GUIDE

TO BEGIN INSTALLATION...

- Install narrow end of extension in a suitable position

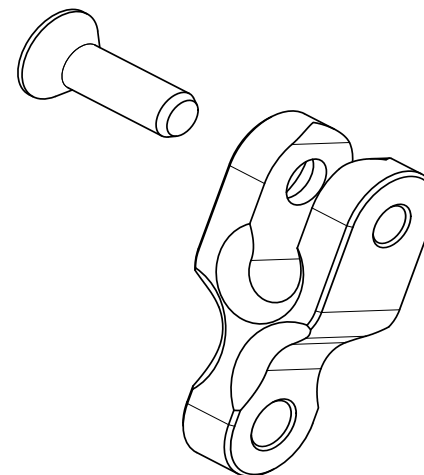
NOTE: *The extension is versatile and has many suitable ways to mount.*

- Once female end of extension has been adjusted, it can be tightened

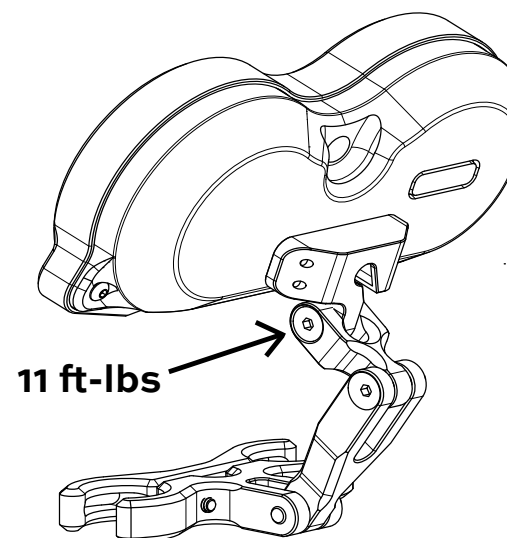
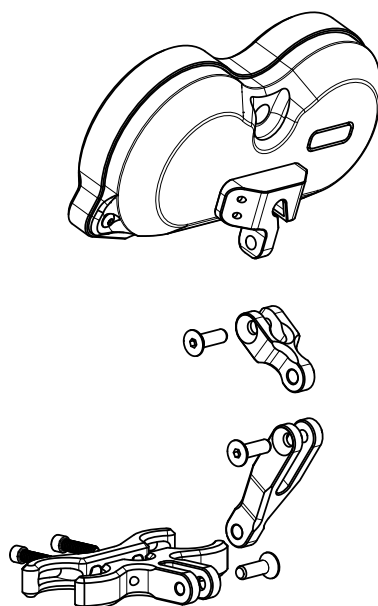
- Snug bolts until fingertight and find a suitable position

Torque to 11 ft-lbs (15 N-m)

NOTE: *View the Compatibility Page for any questions or concerns regarding fitment.*



(Other items shown are sold separately)



COMPATABILITY / FITMENT REFERENCE PAGE

